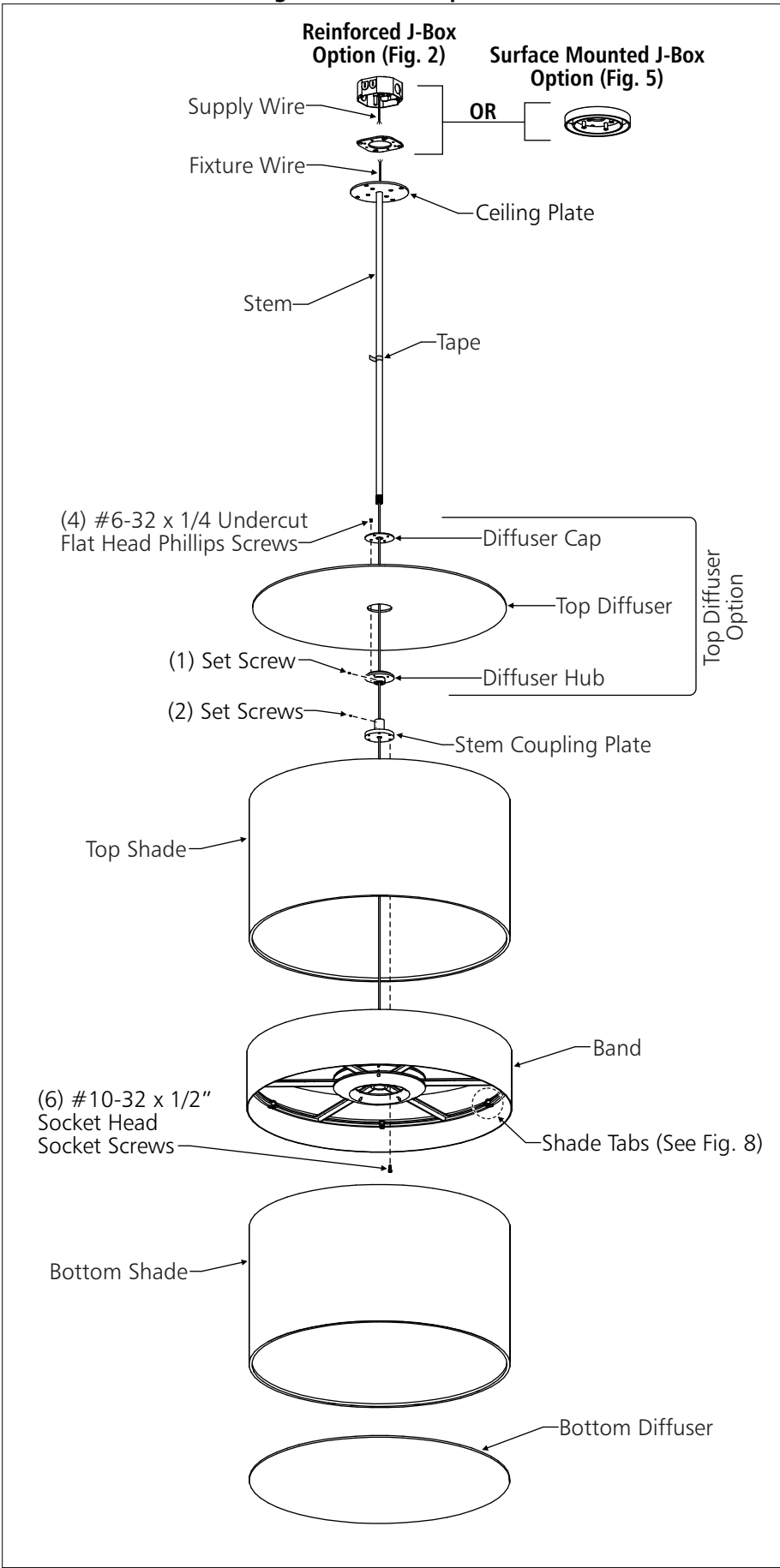


**Fig.1 - Fixture Components**



**CONTENTS:**

- (1) Steel Fixture
- (1) Frosted Acrylic Diffuser (Top Diffuser Optional)
- (1) Shade
- (4) #6-32 x 1/4 Undercut Flat Head Phillips Screws
- (6) #10-32 x 1/2" Socket Head Socket Screws
- (3) Allen Wrenches (3/32", 1/8", 5/32")
- (1) Square Drive Bit
- (3) Wago® Connectors
- (2) Fulham TJTUNV034AC927B LED Panels

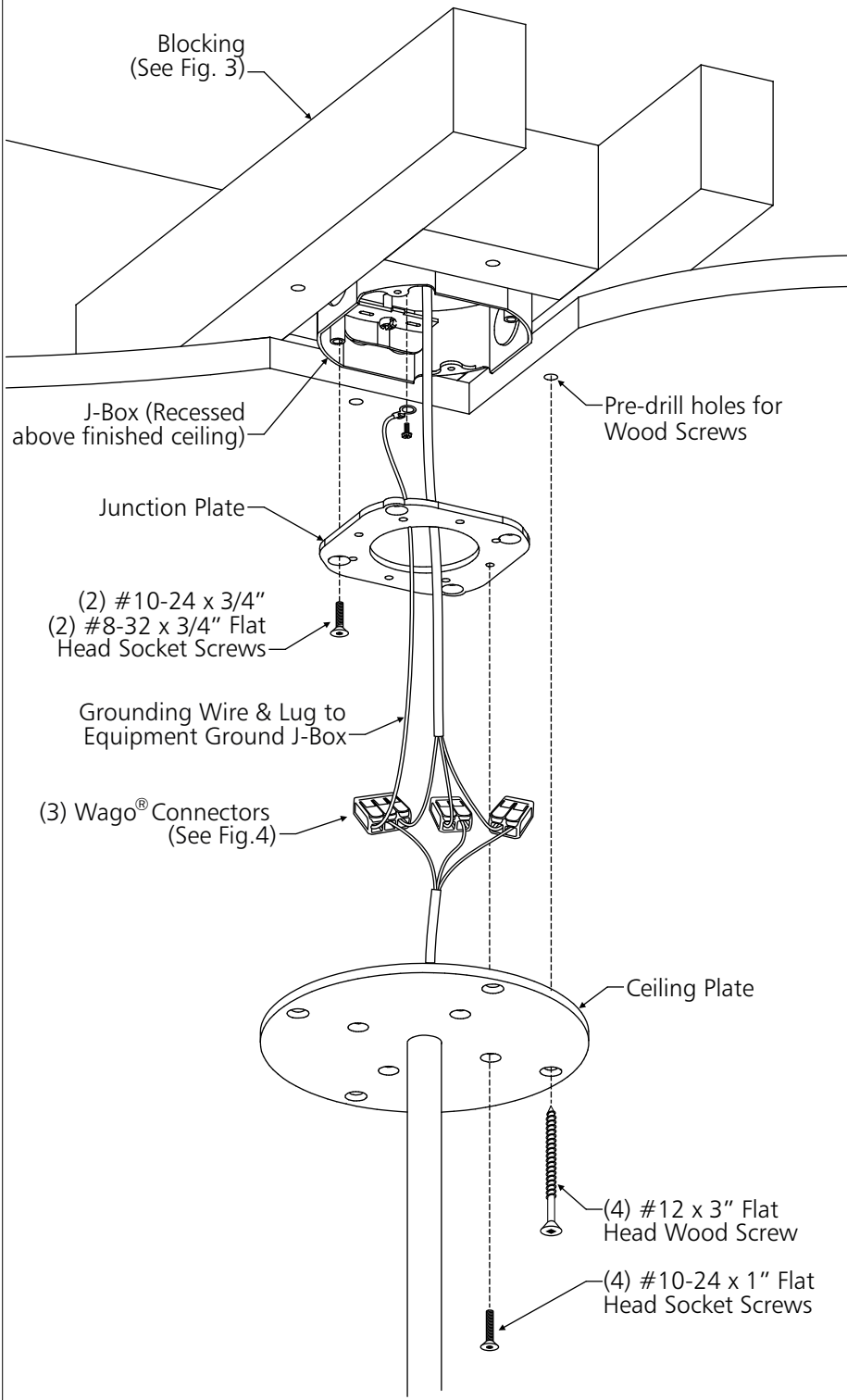
**WARNING!** Handmade SHADES should be handled with WHITE GLOVES ONLY to prevent stains

**INSTRUCTIONS:**

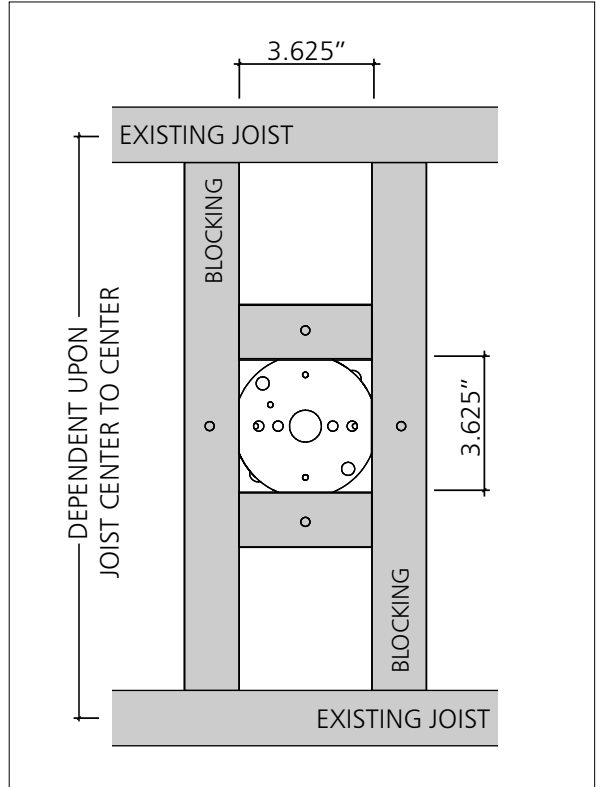
- Installation MUST be performed by a Qualified Electrician. Shut off electrical supply at main box/circuit breaker FIRST. J-Box MUST be properly grounded to an equipment ground. All Screws MUST be tightened to 2.5Nm (min).
- If using recessed J-Box, install per manufacturer's instructions and/or installer's discretion. Attach Junction Plate to J-Box using (2) #10-24 x 3/4" and (2) #8-32 x 3/4" Flat Head Socket Screws.
- If using Surface Mount J-Box, secure to blocking using (4) #12 Pan Head Wood Screws.
- Allow Supply Wires to protrude through center hole in Junction Plate or from bottom opening in Surface Mount J-Box. (See Fig. 2 & 5)
- If Stem is in two or more sections, refer to Fig. 9
- Top Diffuser Option: With Top Diffuser sandwiched between, secure Diffuser Cap to Diffuser Hub using (4) #6-32 x 1/4" Undercut Flat Head Phillips Screws. Slide Diffuser Assembly onto Stem. Align top of Diffuser Cap to bottom of Tape and secure to Stem using (1) Set Screw. Remove Tape.
- Thread Stem Coupling Plate onto Stem and secure using (2) Set Screws. Feed Fixture Wire through Stem. Attach Stem Coupling Plate to Band using (6) #10-32 x 1/2" Socket Head Socket Screws. With Stem/Band assembly in upright position, carefully set Top Shade into Band.
- Lift Stem/Top Shade/Band assembly and make secure electrical connections between Fixture Wire and Supply Wire according to local regulations. (See Fig. 4 & 7). Insert excess connectors and wire into Junction Box or Surface Mount J-Box.
- Attach Ceiling Plate to Junction Plate using (4) #10-24 x 1" Flat Head Socket Screws or to Surface Mount J-Box using (4) #10-24 x 1/2" Flat Head Socket Screws. Attach Ceiling Plate to reinforcing using (4) #12 x 3" Flat Head Wood Screws.
- Push Bottom Diffuser into Bottom Shade. Lift Shade into Band, push Diffuser up and lock Shade Tabs (See Fig. 8).

**ADDITIONAL CONTENTS:**

- Reinforced J-Box
- Junction Plate
- (2) #8-32 x 3/4" Flat Head Socket Screws
- (2) #10-24 x 3/4" Flat Head Socket Screws
- (4) #10-24 x 1" Flat Head Socket Screws
- (4) #12 x 3" Flat Head Wood Screw



**Fig. 3 - Blocking Detail**



**Fig. 4 - Circuit Wiring Detail**

CLOSE LEVER ARM FOR CONNECTION



Fixture (Brown) Supply



Fixture (Blue) Supply

Grounding

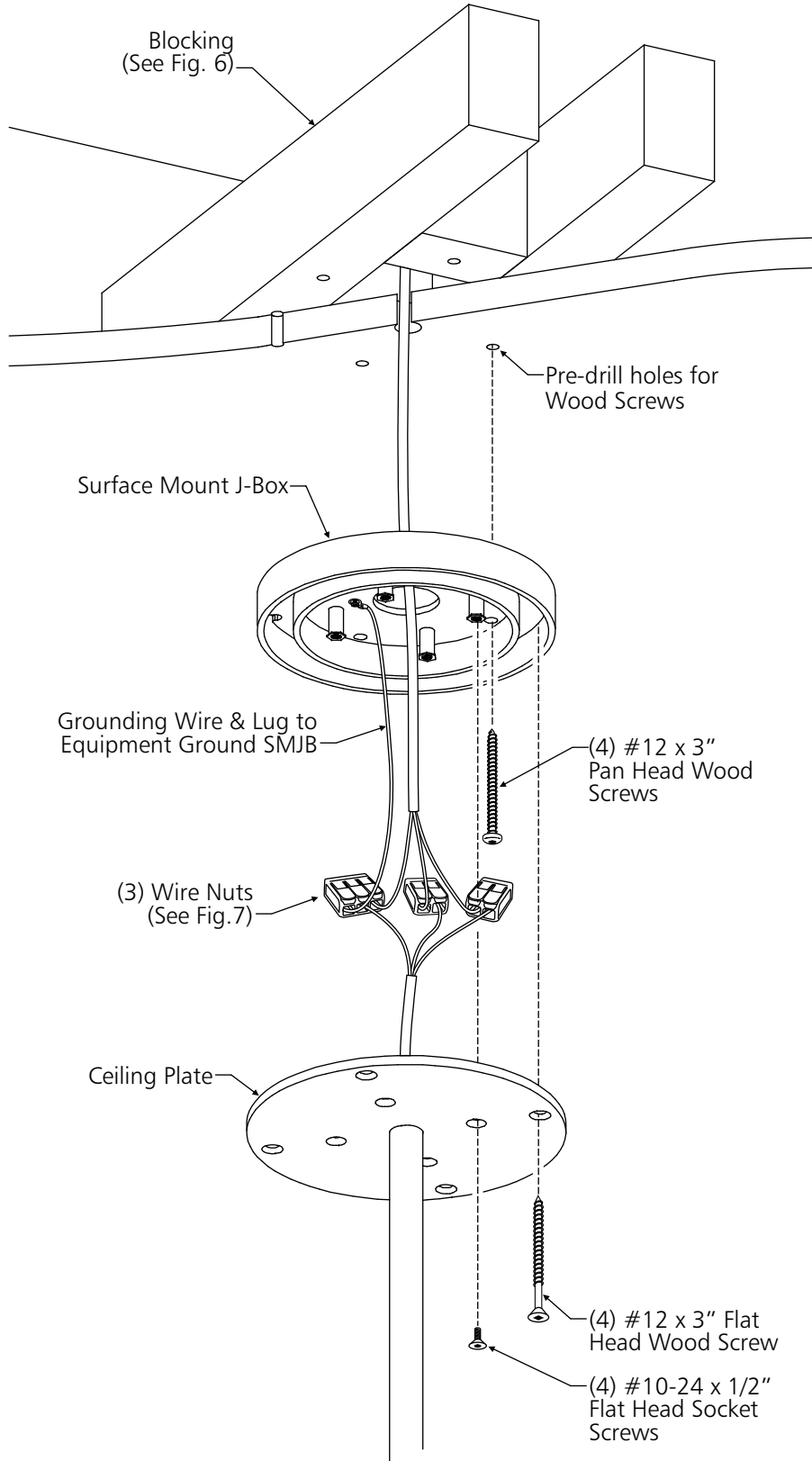


Supply Grounding  
Fixture (Green/Yellow)  
J-Box Grounding (Bare)

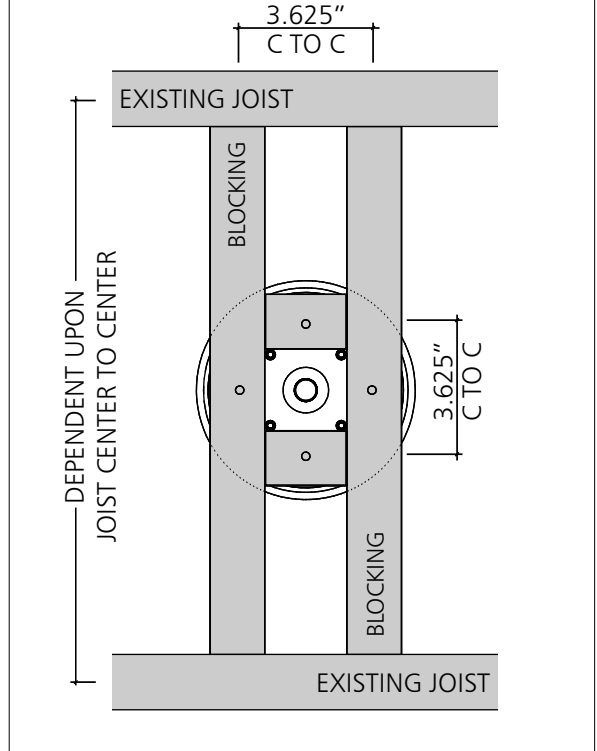
**Fig. 5 - Ceiling Detail, Surface Mounted J-Box**

**ADDITIONAL CONTENTS:**

- (4) #12 x 3" Pan Head Wood Screws
- (4) #10-24 x 1/2" Flat Head Socket Screws



**Fig. 6 - Blocking Detail**



**Fig. 7 - Circuit Wiring Detail**

CLOSE LEVER ARM FOR CONNECTION

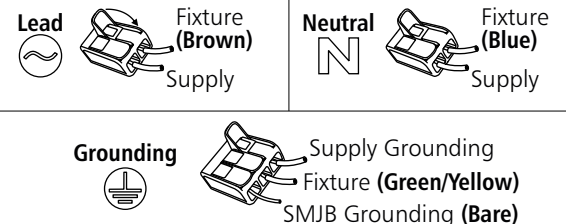
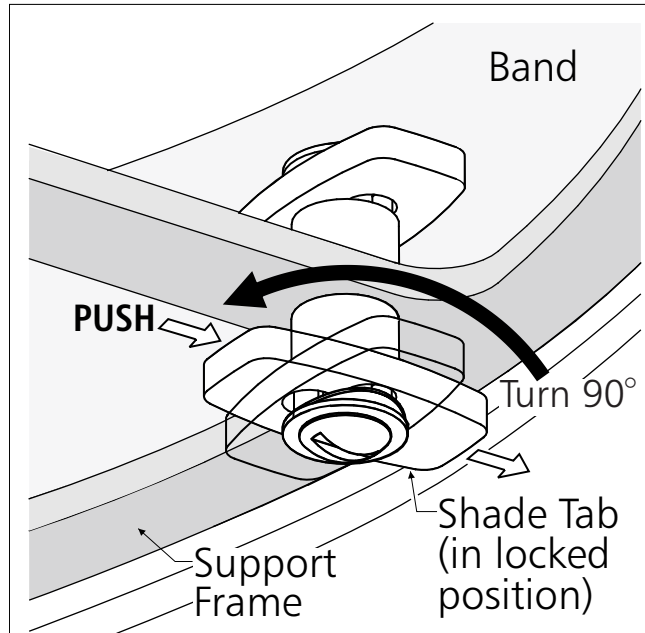
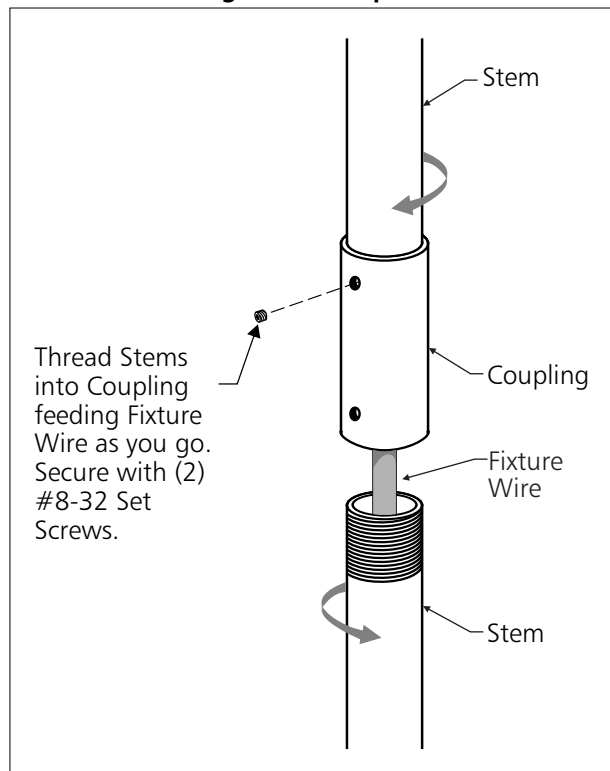


Fig. 8 - Shade Tab



When installing shade, ensure all Shade Tabs have been locked as shown above.  
**FAILURE TO DO SO WILL VOID WARRANTY**

Fig. 9 - Stem Splice



**WARRANTY:**

All items are warranted to be free of any inherent material defects and manufacturing defects for a period of 1 year from the date of receipt of shipment. Any modification to this product or installation that does not follow the included instructions, as well as standard electrical practices, will VOID any warranty either expressed or implied.

**DAMAGE/FREIGHT CLAIMS:**

On shipping arranged by Holly Hunt Collection, the delivery carrier is responsible for any damage (concealed or visible) incurred in transit. Should lighting arrive damaged, it must be reported to the carrier immediately and noted on the waybill. It is also the RESPONSIBILITY OF THE CONSIGNEE or their agent to report damage to the Holly Hunt Collection within 48 hours. Customer arranged shipping is the responsibility of the client and neither Holly Hunt Collection nor Kevin Reilly Lighting will be responsible for any damage after a shipment has been loaded by the carrier. Any damage incurred during customer arranged shipping must be immediately reported to the carrier directly by the client. All packaging and paperwork must be retained for carrier inspections. Returns must be authorized by our office prior to shipping.

**MAXIMUM LED PANEL WATTAGE & TYPE:**

Only use LED panel matching the type and no greater than the maximum wattage, as indicated by a sticker on each fixture. Use of any other LED panel type or wattage greater than the maximum listed will VOID any manufacturer's warranty, expressed or implied.

**SHADE WARNING:**

Our Shades are Handmade. Inherent variations are common. Shades should be handled with white gloves to prevent stains and discoloration. Kevin Reilly Lighting will not assume responsibility for mishandling of Shades.

Holly Hunt Collection

(+1) 800-320-3145

[www.hollyhunt.com](http://www.hollyhunt.com)

801 W. Adams Chicago, IL 60607 U.S.A