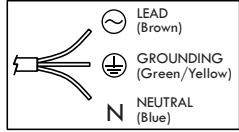


Hanging Weight: 16.4+ kg

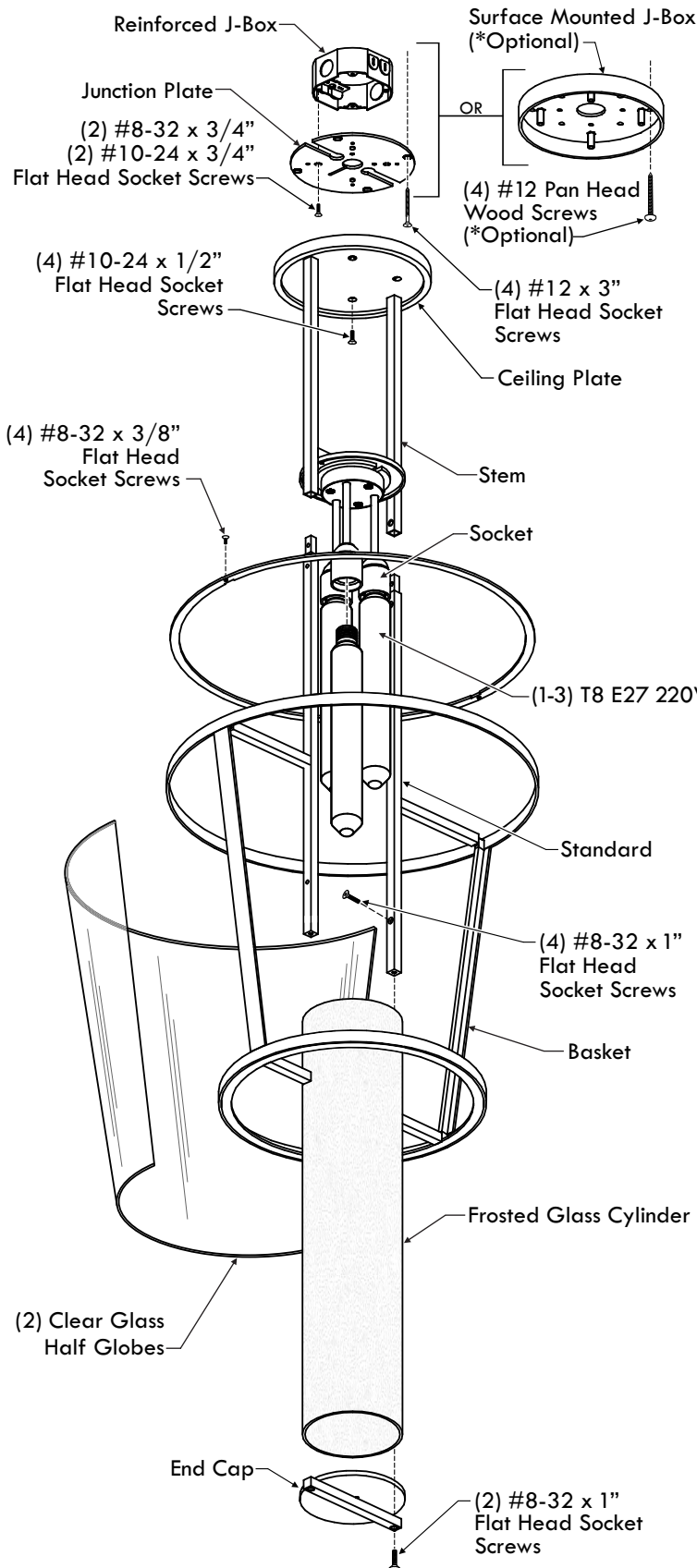


KEVIN REILLY LIGHTING

MAXIMUM BULB WATTAGE
75 WATT T8 E27 220V

LUCERNE (18) HANGING LIGHT FIXTURE Installation Instructions

INSTALLATION MUST BE PERFORMED BY A QUALIFIED ELECTRICIAN



CONTENTS:

- (1) Fixture Assembly (Stem, Rings, Cap, etc.)
- (2) Clear Glass Half Globes
- (1) Frosted Glass Cylinder
- (1) Reinforced J-Box
- (1) Junction Plate
- (1) Surface Mounted J-Box (*Optional)
- (2) #10-24 x 3/4" Flat Head Socket Screws
- (4) #10-24 x 1/2" Flat Head Socket Screws
- (6) #8-32 x 1" Flat Head Socket Screws
- (2) #8-32 x 3/4" Flat Head Socket Screws
- (2) #8-32 x 3/8" Flat Head Socket Screws
- (4) #12 Flat Head Wood Screws
- (4) #12 Pan Head Wood Screws (*Optional)
- (2) Allen Wrenches
- (1) Square Drive Bit
- (3) Wago® Connectors - (1)3-way / (2)2-way
- (1-3) T8 E27 220V Bulb

INSTRUCTIONS:

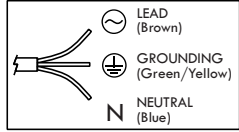
- Fixture should be installed using provided reinforced J-Box or with provided Surface Mounted J-Box. If installed in an exterior location, Contractor/Installer must provide necessary sealant between fixture and ceiling to create water-tight seal (caulk, adhesive, etc.)
- If using recessed J-Box, attach box above ceiling level, and secure Junction Plate to J-Box using (2) #8-32 x 3/4" and (2) #10-24 x 3/4" Flat Head Socket Screws. (See Fig. 2). Secure Junction Plate to reinforcing with (4) #12 Flat Head Wood Screws.
- If using Surface Mounted J-Box, secure to blocking using (4) #12 Pan Head Wood Screws or Contractor specified fasteners. (See Fig. 3)
- Connect service wire to fixture wire according to local regulations, using wiring diagram on Fig. 2 or Fig. 3. Insert excess wire and connectors into J-Box/Surface Mounted J-Box.
- Secure Ceiling Plate to Junction Plate/Surface Mounted J-Box using (4) #10-24 x 1/2" Flat Head Socket Screws.
- Remove (2) #8-32 x 3/8" Flat Head Socket Screws from Basket Ring (reserve screws). Carefully position Clear Glass Half-Globes into Basket. Secure Basket to Standards using (4) #8-32 x 1" Flat Head Socket Screws. Attach Standards to Stems using (4) #8-32 x 1/2" Flat Head Socket Screws (see Fig. 4).
- Remove End Cap from fixture.
- Insert (1-3) T8 E27 220V Bulb(s) into Socket(s) and test continuity.
- Carefully set Frosted Glass Cylinder into End Cap. Lift assembly over socket. Secure End Cap using (2) #8-32 x 1" Flat Head Socket Screws.

WARNING! Glass is FRAGILE and WILL BREAK IF MISHANDLED. K.R.Inc. will not assume responsibility for mishandling of components.



Fig. 1

Hanging Weight: 16.4+ kg

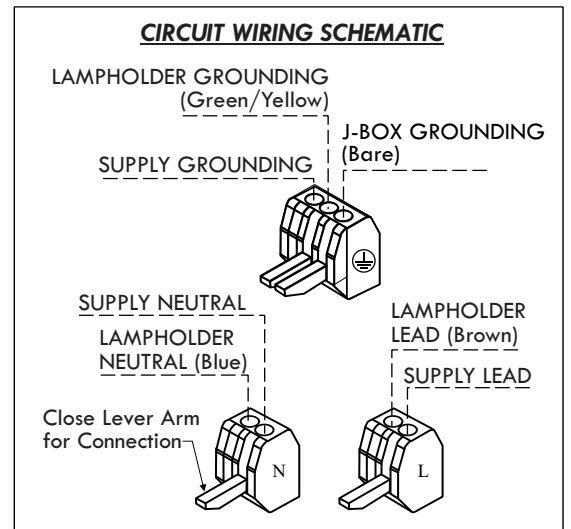
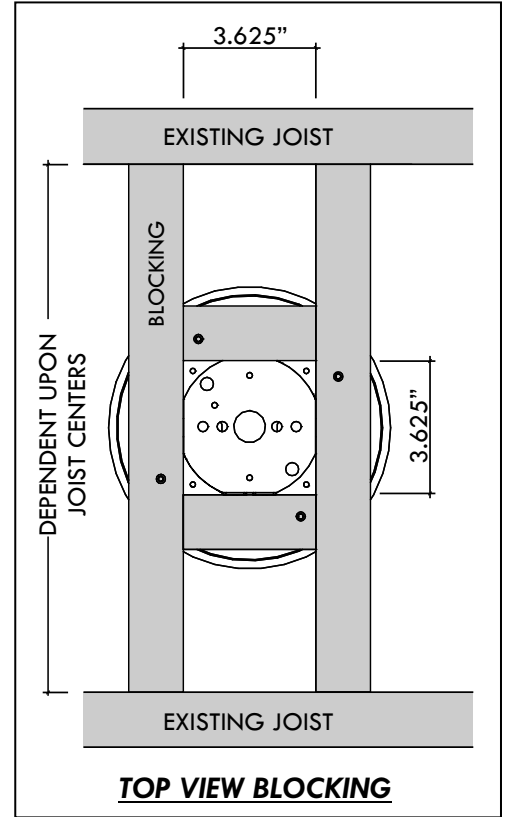
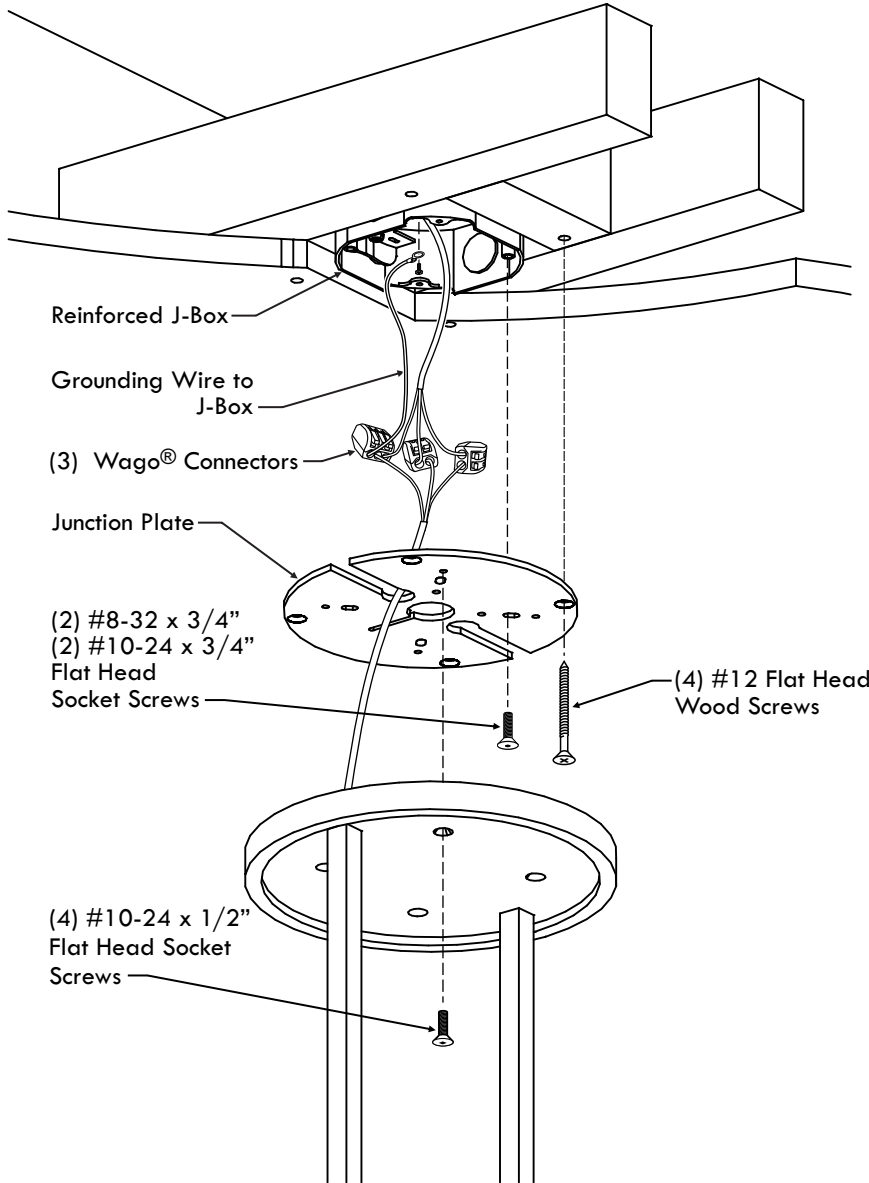


KEVIN REILLY LIGHTING

MAXIMUM BULB WATTAGE
75 WATT T8 E27 220V

LUCERNE (18) HANGING LIGHT FIXTURE Installation Instructions

INSTALLATION MUST BE PERFORMED BY A QUALIFIED ELECTRICIAN

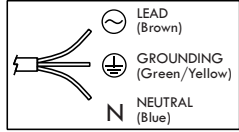


WARNING! Glass is FRAGILE and WILL BREAK IF MISHANDLED. K.R.Inc. will not assume responsibility for mishandling of components.



Fig. 2

Hanging Weight: 16.4+ kg

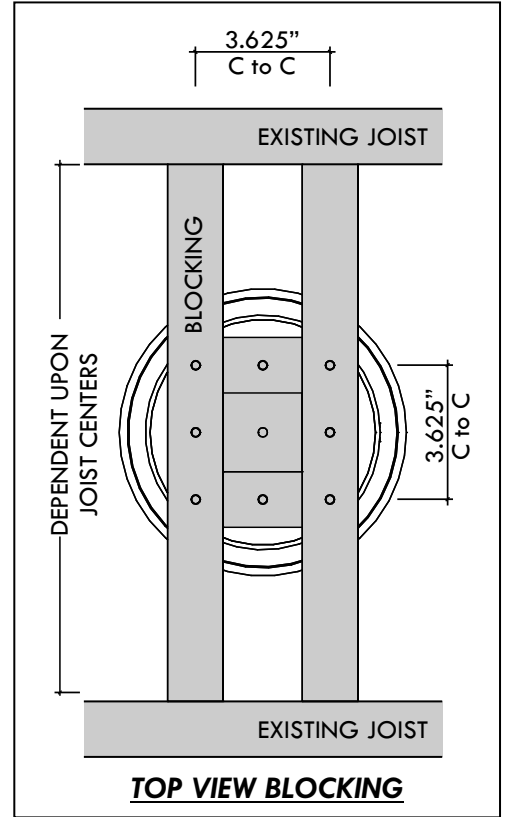
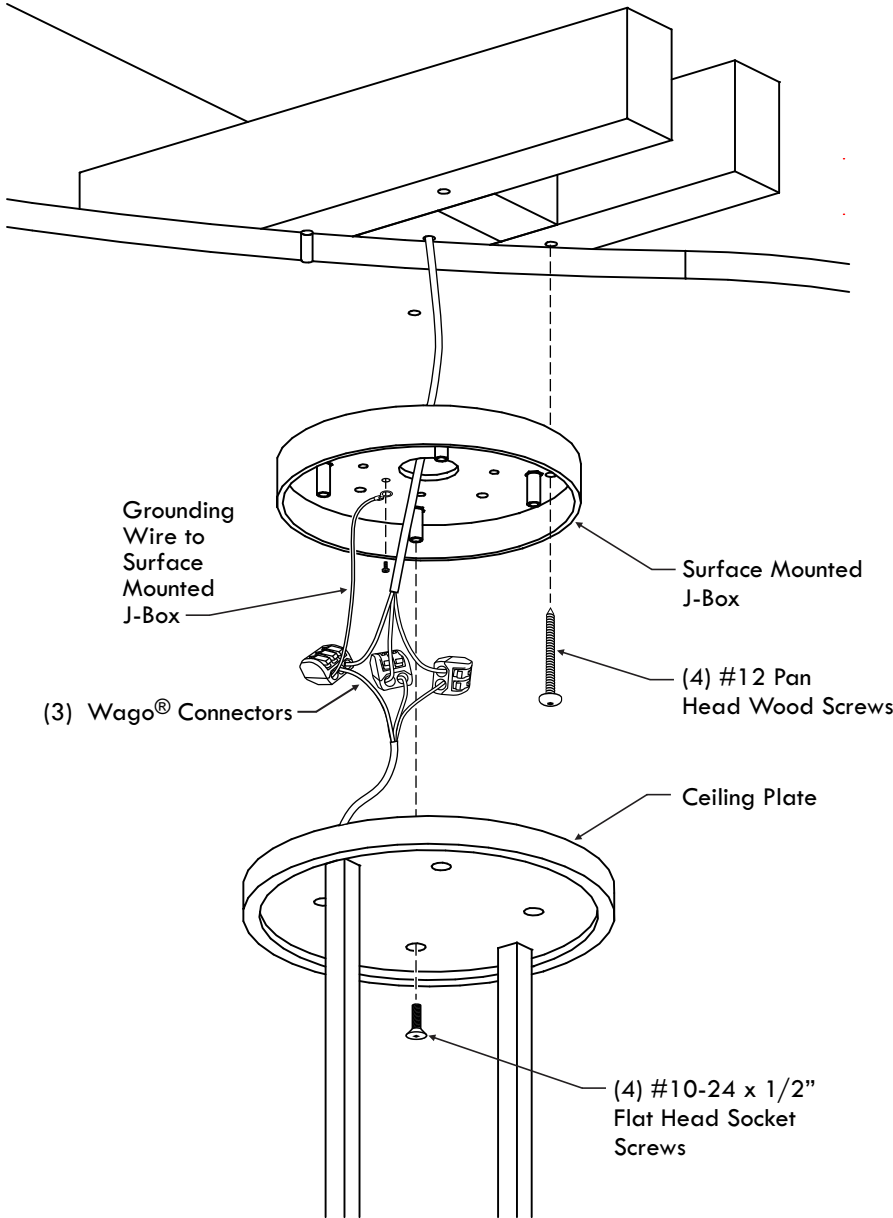


KEVIN REILLY LIGHTING

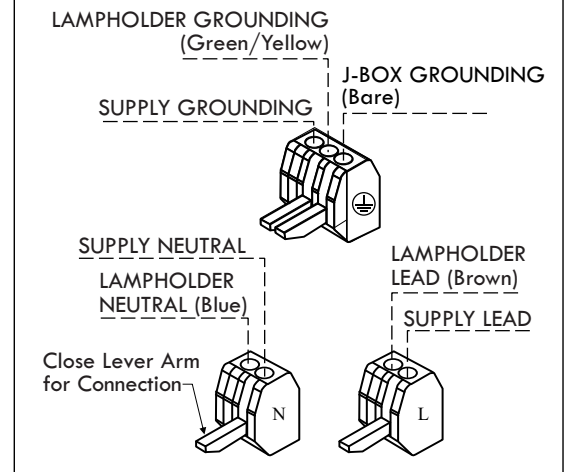
MAXIMUM BULB WATTAGE
75 WATT T8 E27 220V

LUCERNE (18) HANGING LIGHT FIXTURE Installation Instructions

INSTALLATION MUST BE PERFORMED BY A QUALIFIED ELECTRICIAN



CIRCUIT WIRING SCHEMATIC

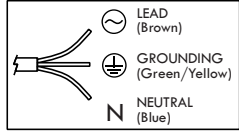


WARNING! Glass is FRAGILE and WILL BREAK IF MISHANDLED. K.R.Inc. will not assume responsibility for mishandling of components.



Fig. 3

Hanging Weight: 16.4+ kg



KEVIN REILLY LIGHTING

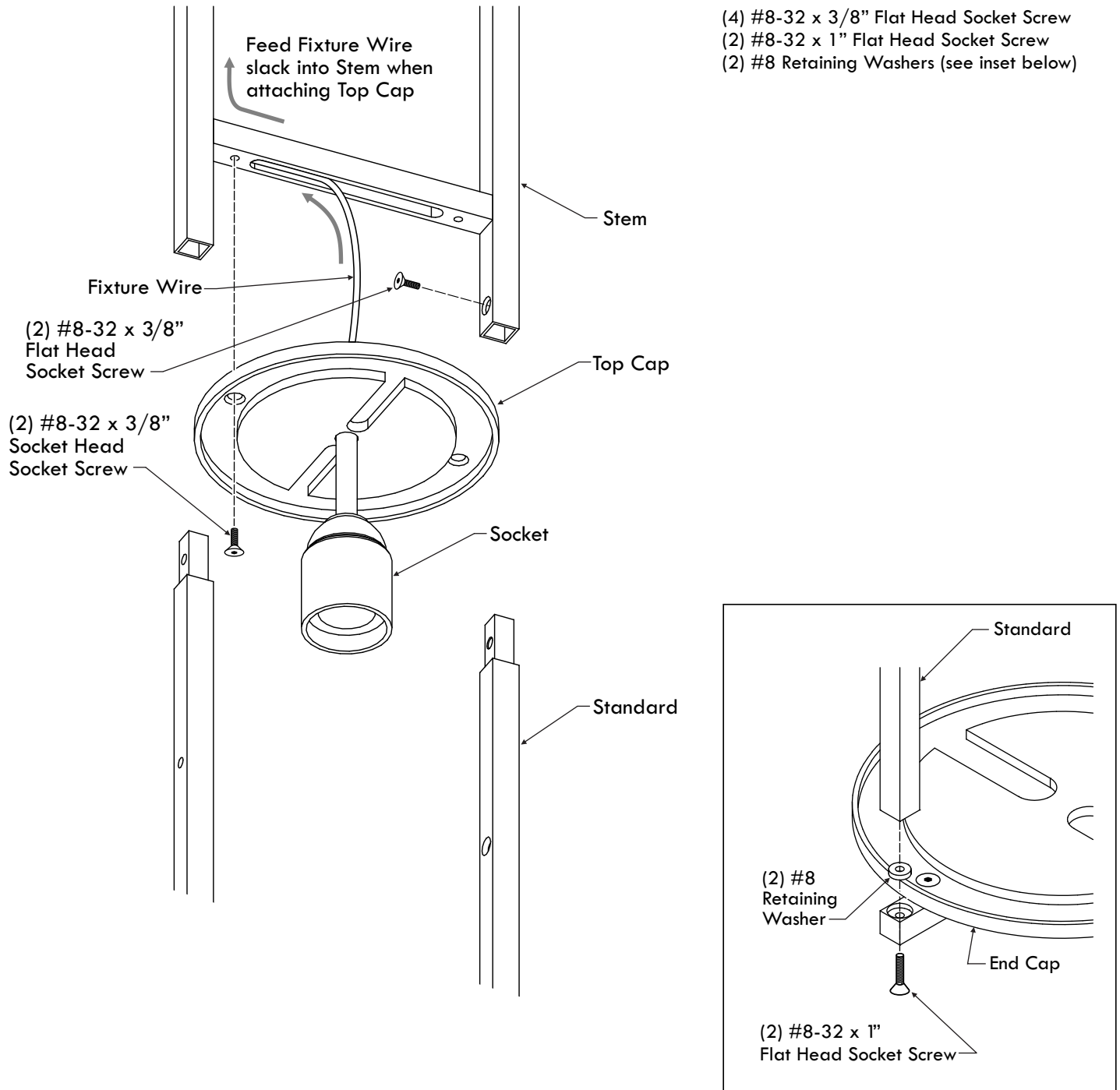
MAXIMUM BULB WATTAGE
75 WATT T8 E27 220V

LUCERNE (18) HANGING LIGHT FIXTURE Installation Instructions

INSTALLATION MUST BE PERFORMED BY A QUALIFIED ELECTRICIAN

CONTENTS

- (4) #8-32 x 3/8" Flat Head Socket Screw
- (2) #8-32 x 1" Flat Head Socket Screw
- (2) #8 Retaining Washers (see inset below)

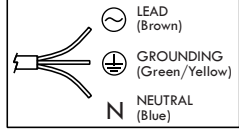


WARNING! Glass is FRAGILE and WILL BREAK IF MISHANDLED. K.R.Inc. will not assume responsibility for mishandling of components.



Fig. 4

Hanging Weight: 16.4+ kg



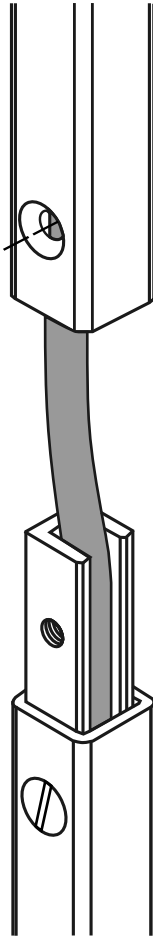
KEVIN REILLY LIGHTING

MAXIMUM BULB WATTAGE
75 WATT T8 E27 220V

LUCERNE (18) HANGING LIGHT FIXTURE Installation Instructions

INSTALLATION MUST BE PERFORMED BY A QUALIFIED ELECTRICIAN

Use (4) #6-32 x 3/16" Flat
Slotted Undercut Head Screws to
attach each stem splice together,
feeding fixture wire as you go.



Stem Splice

KEVIN REILLY LIGHTING

LUCERNE (18) HANGING LIGHT FIXTURE Installation Instructions

INSTALLATION MUST BE PERFORMED BY A QUALIFIED ELECTRICIAN

WARRANTY:

All items are warranted to be free of any inherent material defects and manufacturing defects for a period of 1 year from the date of receipt of shipment. Any modification to this product or installation that does not follow the included instructions, as well as standard electrical practices, will VOID any warranty either expressed or implied.

DAMAGE/FREIGHT CLAIMS:

On shipping arranged by Holly Hunt Collection, the delivery carrier is responsible for any damage (concealed or visible) incurred in transit. Should lighting arrive damaged, it must be reported to the carrier immediately and noted on the waybill. It is also the RESPONSIBILITY OF THE CONSIGNEE or their agent to report damage to the Holly Hunt Collection within 48 hours. Customer arranged shipping is the responsibility of the client and neither Holly Hunt Collection nor Kevin Reilly Lighting will be responsible for any damage after a shipment has been loaded by the carrier. Any damage incurred during customer arranged shipping must be immediately reported to the carrier directly by the client. All packaging and paperwork must be retained for carrier inspections. Returns must have authorized by our office prior to shipping.

MAXIMUM BULB WATTAGE & TYPE:

Only the bulbs on the sticker and in the attached instructions are allowed. Use of any other bulb will VOID any manufacturer's warranty expressed or implied.

GLASS WARNING:

Our Glass is Handmade, is FRAGILE, and WILL BREAK IF MISHANDLED. Glass should be handled with gloves, and should be held & supported until the locking components are firmly attached & self-supporting. K.R.I. will not assume responsibility for mishandling of glass components.

Holly Hunt Collection
(+1) 800-320-3145
www.hollyhunt.com

801 W. Adams Chicago, IL 60607 U.S.A

