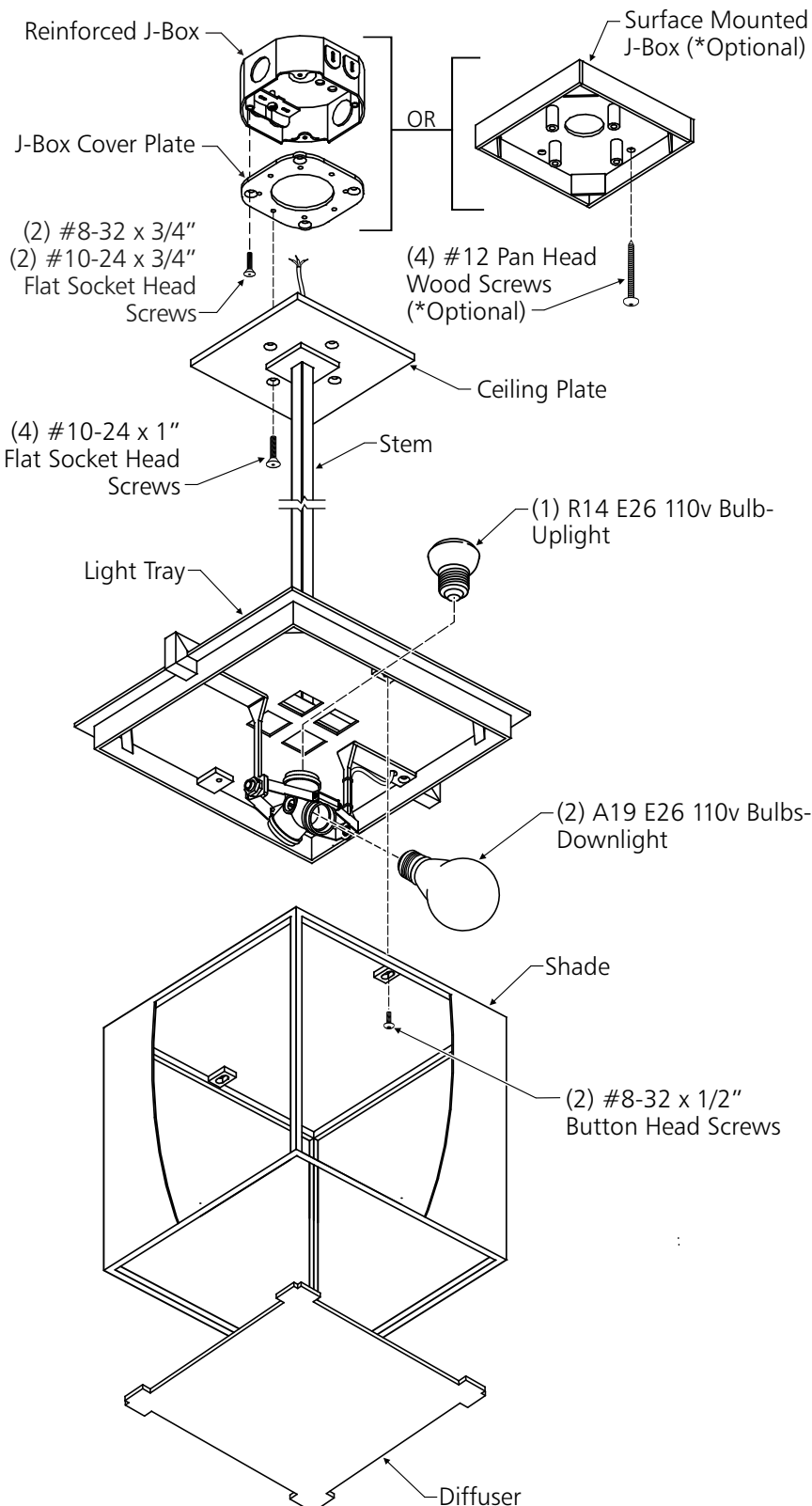


**Fig.1 - Fixture Components**



### CONTENTS:

- (1) Steel Light Fixture (Light Tray, Stem, etc)
- (1) Shade
- (1) Diffuser
- (1) Reinforced J-Box
- (1) J-Box Cover Plate
- (1) Surface Mounted J-Box (\*Optional)
- (2) #8-32 x 1/2" Button Socket Head Screws
- (2) #8-32 x 3/4" Flat Socket Head Screws
- (2) #10-24 x 3/4" Flat Socket Head Screws
- (4) #10-24 x 1" Flat Socket Head Screws
- (4) #12 Pan Head Wood Screws (\*Optional)
- (2) Allen Wrenches (3/32", 1/8")
- (3) Wire Nuts
- (2) A19 E26 110v Bulbs - Downlight
- (1) R14 E26 110v Bulb - Uplight

**WARNING!** Handmade SHADES should be handled with WHITE GLOVES ONLY to prevent stains

### INSTRUCTIONS:

- \* Installation MUST be performed by a Qualified \* Electrician.
- \* Shut off electrical supply at main box/circuit breaker FIRST.
- \* J-Box MUST be properly grounded to an equipment ground.
- \* All Screws MUST be tightened to 2.5Nm (min).
- Fixture should be installed using provided reinforced J-Box or with provided Surface Mounted J-Box.
- If using recessed J-Box, attach box above ceiling level, and secure Junction Plate to J-Box using (2) #8-32 x 3/4" and (2) #10-24 x 3/4" Flat Head Socket Screws. (See Fig. 2).
- If using Surface Mounted J-Box, secure to blocking using (4) #12 Pan Head Wood Screws or Contractor specified fasteners. (See Fig. 3).
- Connect Supply Wire to Fixture Wire according to local regulations, using wiring diagram on Fig. 4. Insert excess wire and connectors into J-Box/ Surface Mounted J-Box.
- Use (4) #10-24 x 1" Flat Socket Head Screws to attach stem to J-Box Cover Plate/Surface Mounted J-Box.
- Place shade into Tray (tab toward Tray) and fasten to Tray with (2) #8-32 x 1/2" Button Head Socket Screws.
- Install (1) 25W R14 Bulb in the upward facing socket
- Install (2) A19 E26 Bulbs in the downward facing sockets. Turn power on and test continuity.
- Lift Diffuser into bottom of Shade and set into place.

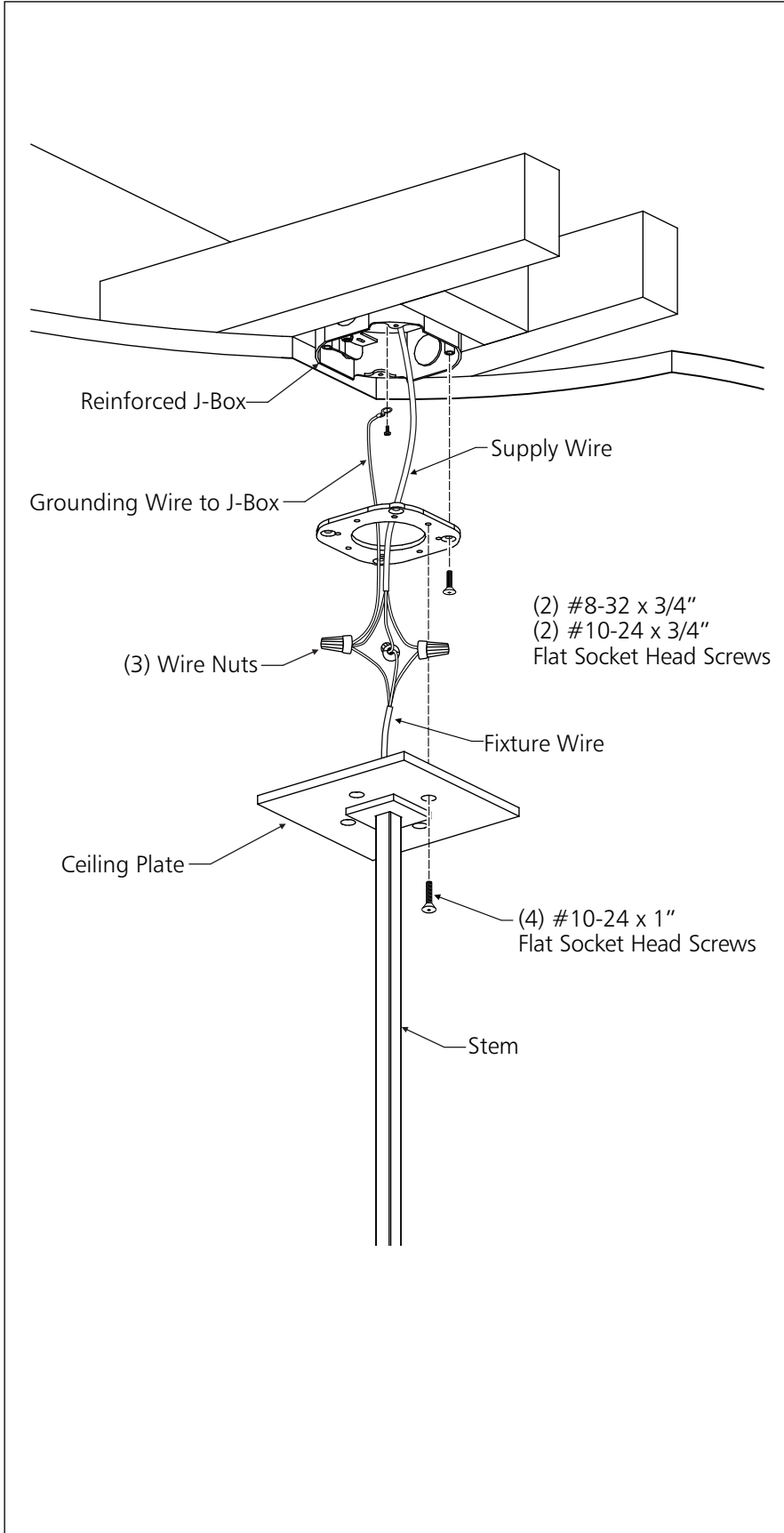
# STEEG 14

## HANGING LIGHT FIXTURE

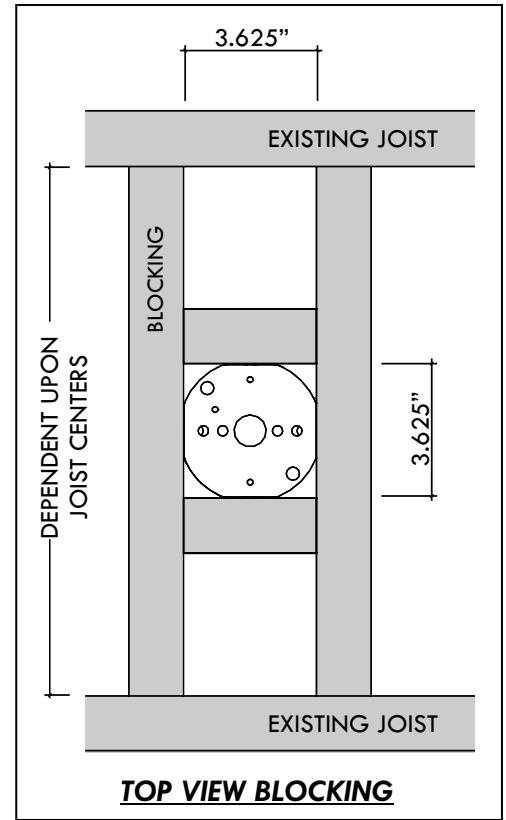
Bulb (Required Type/Max. Watt): (1) R14 E22/25W  
(2) A19 E26/60W  
Fixture Electrical Rating: 100-130V 50/60Hz  
Hanging Weight: 15+lbs.



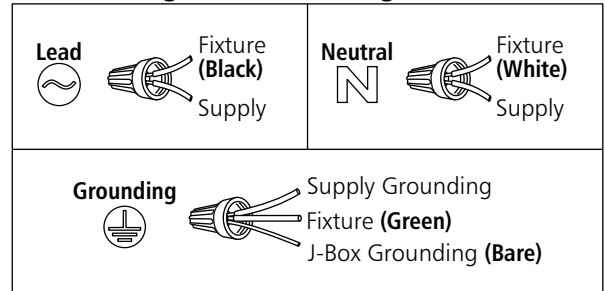
**Fig. 2 - Ceiling Detail, Reinforced J-Box**



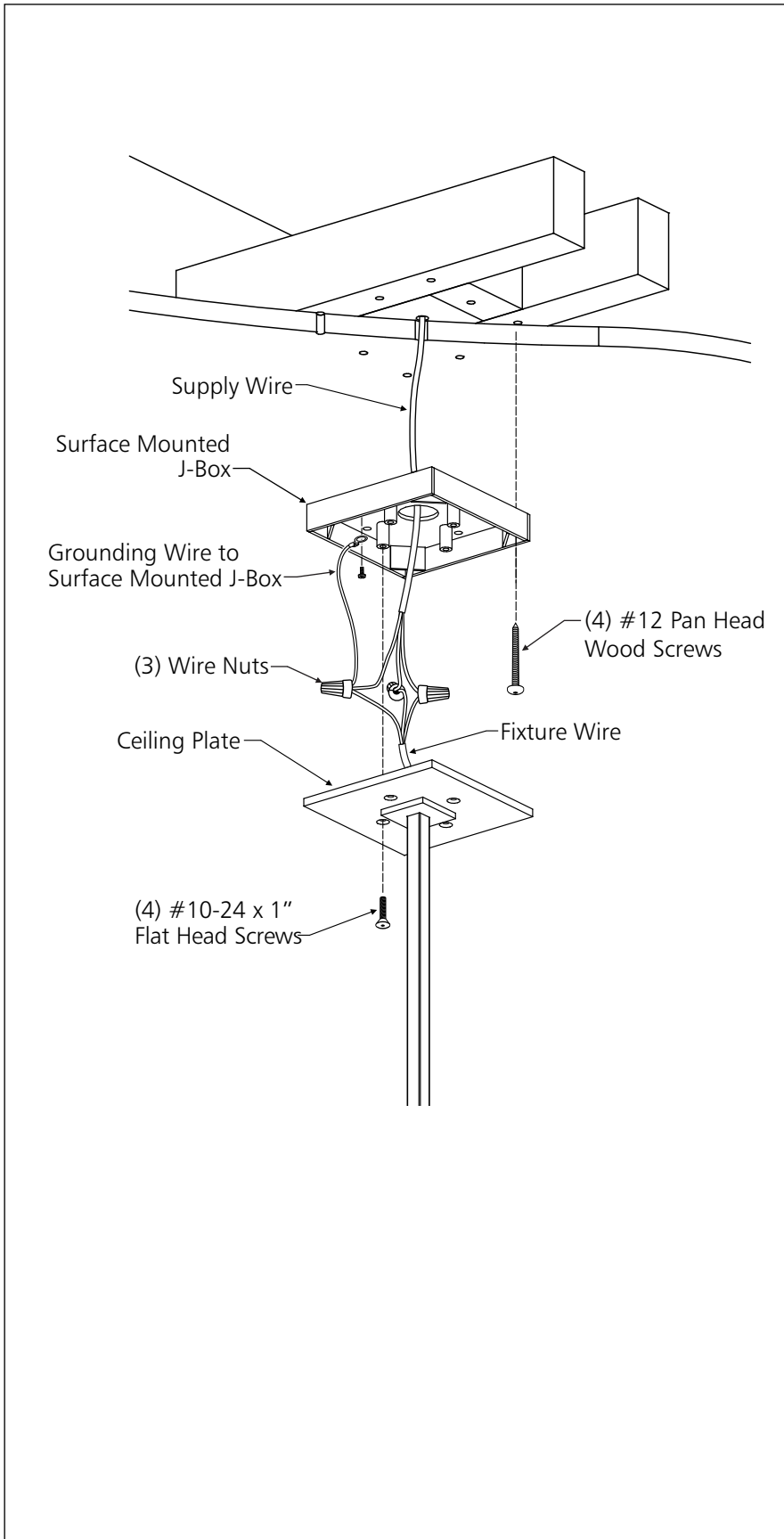
**Fig. 3 - Blocking Detail**



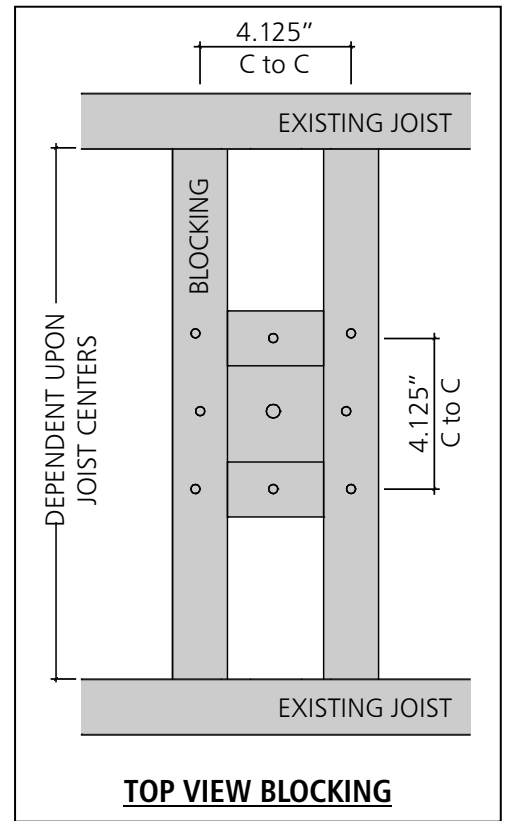
**Fig. 4 - Circuit Wiring Detail**



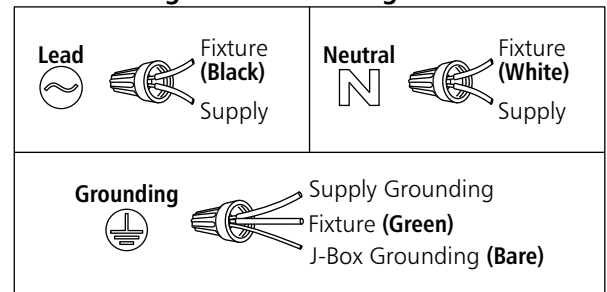
**Fig. 5 - Ceiling Detail, Surface Mounted J-Box**



**Fig. 6 - Blocking Detail**



**Fig. 4 - Circuit Wiring Detail**



**WARRANTY:**

All items are warranted to be free of any inherent material defects and manufacturing defects for a period of 1 year from the date of receipt of shipment. Any modification to this product or installation that does not follow the included instructions, as well as standard electrical practices, will VOID any warranty either expressed or implied.

**DAMAGE/FREIGHT CLAIMS:**

On shipping arranged by Holly Hunt Collection, the delivery carrier is responsible for any damage (concealed or visible) incurred in transit. Should lighting arrive damaged, it must be reported to the carrier immediately and noted on the waybill. It is also the RESPONSIBILITY OF THE CONSIGNEE or their agent to report damage to the Holly Hunt Collection within 48 hours. Customer arranged shipping is the responsibility of the client and neither Holly Hunt Collection nor Kevin Reilly Lighting will be responsible for any damage after a shipment has been loaded by the carrier. Any damage incurred during customer arranged shipping must be immediately reported to the carrier directly by the client. All packaging and paperwork must be retained for carrier inspections. Returns must be authorized by our office prior to shipping.

**MAXIMUM BULB WATTAGE & TYPE:**

Only use bulbs matching the type and no greater than the maximum wattage, as indicated by a sticker on each fixture. Use of any other bulb type or wattage greater than the maximum listed will VOID any manufacturer's warranty, expressed or implied.

**SHADE WARNING:**

Our Shades are Handmade. Inherent variations are common. Shades should be handled with white gloves to prevent stains and discoloration. Kevin Reilly Lighting will not assume responsibility for mishandling of Shades.

Holly Hunt Collection

(+1) 800-320-3145

[www.hollyhunt.com](http://www.hollyhunt.com)

801 W. Adams Chicago, IL 60607 U.S.A